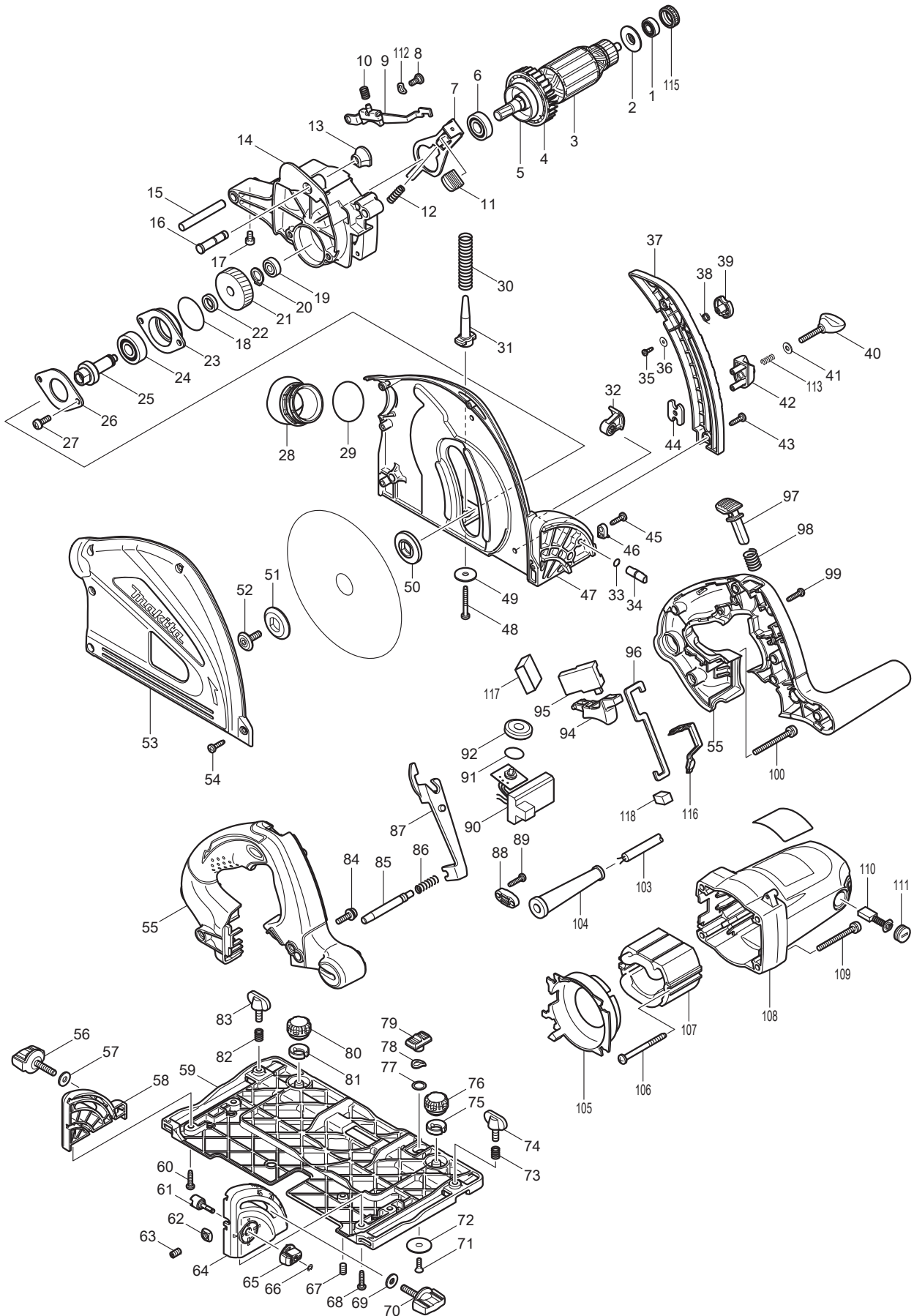




11 - 2010
SP6000, SP6000X1, SP6000X2
6-1/2" PLUNGE CUT CIRCULAR SAW



Item No	Type	Sub	Part No	Description	Qty	Unit
001			210013-5	BALL BEARING 698VV	1	PC.
002			681634-4	INSULATION WASHER	1	PC.
003	1		513676-9	ARMATURE ASS'Y 115V	1	PC.
		INC.		Item No. 1,2,4-6		
	2		510590-0	ARMATURE ASS'Y 115V	1	PC.
		INC.		Item No. 1,2,4-6		
004			240091-1	FAN 60	1	PC.
005			345767-6	DRUM	1	PC.
006	2		210216-1	BALL BEARING 6001DDW	1	PC.
007			345742-2	SHAFT LOCK	1	PC.
008			265011-4	+ BINDING HEAD SCREW K5	1	PC.
009			158096-6	* SHOE COMPLETE	1	PC.
010			233480-7	COMPRESSION SPRING 7	1	PC.
011	2		286039-9	CAP	1	PC.
012			233084-5	COMPRESSION SPRING 6	1	PC.
013	2		286040-4	CAP	1	PC.
014	2		144586-5	GEAR HOUSING COMPLETE	1	PC.
		INC.	263002-9	RUBBER PIN 4	1	PC.
015	3		324716-6	* PIN 8	1	PC.
	4		327B66-0	* PIN 8	1	PC.
016			324708-5	STOPPER PIN 8	1	PC.
017	2		265907-9	* HEX. SOCKET HEAD BOLT M5X10	1	PC.
018			213512-6	O RING 39	1	PC.
019			211021-9	BALL BEARING 607LLB	1	PC.
020			961052-5	RETAINING RING S-12	1	PC.
021			226637-7	HELICAL GEAR 39	1	PC.
022			257010-0	RING 12	1	PC.
023			318088-9	BEARING BOX	1	PC.
024	1		211129-9	BALL BEARING 6201DDW	1	PC.
	2		210195-3	BALL BEARING 6201DDW	1	PC.
025			324707-7	SPINDLE	1	PC.
026			285689-7	BEARING RETAINER 55	1	PC.
027			911221-8	PAN HEAD SCREW M5X16	2	PC.
028			419620-3	DUST NOZZLE	1	PC.
029	2		213416-2	O RING 26	1	PC.
030			233479-2	COMPRESSION SPRING 11	1	PC.
031			419624-5	SPRING HOLDER	1	PC.
032	2		144867-7	LEVER 20 COMPLETE	1	PC.
		INC.	263002-9	RUBBER PIN 4	1	PC.
033			213021-5	* O RING 5	1	PC.
034			324710-8	PIN 8	1	PC.
035			266007-8	TAPPING SCREW BIND PT 3X10	1	PC.
036			253821-1	FLAT WASHER 3	1	PC.
037	2		457756-0	DEPTH GUIDE	1	PC.
038			231665-9	TORSION SPRING 7	1	PC.
039			419630-0	LOCK LEVER	1	PC.
040			251867-1	SCREW M5X30	1	PC.
041			941101-4	FLAT WASHER 5	1	PC.
042			419623-7	STOPPER BLOCK	1	PC.
043			266034-5	TAPPING SCREW CT 4X16	2	PC.
044			345744-8	NUT PLATE	1	PC.
045			266034-5	TAPPING SCREW CT 4X16	1	PC.
046			419632-6	POSITION PLATE	1	PC.
047	1		158547-9	BLADE CASE COMPLETE	1	PC.
		INC.	233025-1	COMPRESSION SPRING 2	2	PC.
		INC.	259008-3	PUSH NUT 4	2	PC.
		INC.	345747-2	SPACER PLATE	2	PC.
	3		140D56-6	BLADE CASE COMPLETE	1	PC.
		INC.	233025-1	COMPRESSION SPRING 2	2	PC.

Item No	Type	Sub	Part No	Description	Qty	Unit
		INC.	347392-9	PLATE	2	PC.
		INC.	259008-3	PUSH NUT 4	2	PC.
		INC.	286041-2	CAP 14	2	PC.
		INC.	345747-2	SPACER PLATE	2	PC.
048			266053-1	TAPPING SCREW 4X35	1	PC.
049			253010-8	FLAT WASHER 6	1	PC.
050	1		224406-0	INNER FLANGE 35	1	PC.
	2		224593-5	INNER FLANGE 35	1	PC.
051	2		224409-4	OUTER FLANGE 35	1	PC.
052			266403-0	HEX. SOCKET HEAD BOLT M6	1	PC.
053	1		158214-6	* BLADE CASE COVER COMPLETE	1	PC.
		INC.	810303-2	* CAUTION LABEL - N/L/A	1	PC.
	3		319709-6	* BLADE CASE COVER COMPLETE	1	PC.
054			266034-5	TAPPING SCREW CT 4X16	5	PC.
055			188197-6	HANDLE SET	1	SET
056			265776-8	THUMB SCREW M6X26	1	PC.
057			253111-2	FLAT WASHER 6	1	PC.
058			419596-4	REAR ANGULAR GUIDE	1	PC.
059			318179-6	BASE	1	PC.
060			265995-6	TAPPING SCREW 4X18	2	PC.
061			324731-0	STOPPER PIN	1	PC.
062			252157-5	SQUARE NUT M6	1	PC.
063	2		266225-8	H.S.SET SCREW(FLAT POINT)M6X8	1	PC.
064	2		413A11-6	FRONT ANGULAR GUIDE	1	PC.
065	2		457963-5	DIAL 22	1	PC.
066			961017-7	STOP RING E-3	1	PC.
067	2		266225-8	H.S.SET SCREW(FLAT POINT)M6X8	2	PC.
068			265995-6	TAPPING SCREW 4X18	2	PC.
069			253111-2	FLAT WASHER 6	1	PC.
070			265776-8	THUMB SCREW M6X26	1	PC.
071			912112-6	COUNTERSUNK HEAD SCREW M4X10	1	PC.
072			345748-0	LOCK WASHER	1	PC.
073	2		231240-1	COMPRESSION SPRING 7	1	PC.
074			265701-9	SCREW M6X14	1	PC.
075			419627-9	HOLDER	1	PC.
076			265775-0	THUMB SCREW M4X3	1	PC.
077	2		345977-5	* PLATE	1	PC.
078			253932-2	WAVE WASHER 10	1	PC.
079	2		458092-7	SLIDE LEVER	1	PC.
080			265775-0	THUMB SCREW M4X3	1	PC.
081			419627-9	HOLDER	1	PC.
082	2		231240-1	COMPRESSION SPRING 7	1	PC.
083			265701-9	SCREW M6X14	1	PC.
084			922232-8	HEX. SOCKET HEAD BOLT M5X20	1	PC.
085			324709-3	LOCK PIN 8	1	PC.
086			233267-7	COMPRESSION SPRING 7	1	PC.
087			419631-8	LOCK PLATE	1	PC.
088	2		687123-7	CORD CRAMP (STRAIN RELIEF)	1	PC.
089			265995-6	TAPPING SCREW 4X18	2	PC.
090			631728-5	CONTROLLER	1	PC.
091			213261-5	O RING 17	1	PC.
092			418905-4	DIAL	1	PC.
094			419622-9	SWITCH LEVER	1	PC.
095			651922-3	SWITCH TG71B, SINGLE, W/O LOCK	1	PC.
096			345745-6	LINK PLATE	1	PC.
097			419629-5	LOCK OFF BUTTON	1	PC.
098			233089-5	COMPRESSION SPRING 12	1	PC.
099			265995-6	TAPPING SCREW 4X18	6	PC.
100			911273-9	PAN HEAD SCREW M5X50	1	PC.

Item No	Type	Sub	Part No	Description	Qty	Unit
101			862913-1	NAME PLATE F/ SP6000	1	PC.
103			664265-4	CORD WITH PLUG 2P-16-2.5M SJ	1	PC.
104	2		682574-9	CORD GUARD 10-90	1	PC.
105			419626-1	BAFFLE PLATE	1	PC.
106			266044-2	TAPPING SCREW 5X60	2	PC.
107			525741-2	FIELD ASS'Y 115V	1	PC.
		INC.	654020-2	RING TERMINAL	2	PC.
	2	INC.	654485-8	PARALELL SPLICE	2	PC.
108	1		158094-0	* MOTOR HOUSING COMPLETE	1	PC.
		INC.	643708-9	* BRUSH HOLDER 5-11	2	PC.
	2		143397-5	* MOTOR HOUSING COMPLETE	1	PC.
		INC.	807E21-1	* CAUTION LABEL	1	PC.
		INC.	807F46-1	* CAUTION LABEL	1	PC.
		INC.	643708-9	* BRUSH HOLDER 5-11	2	PC.
109			911273-9	PAN HEAD SCREW M5X50	4	PC.
110	2		194996-6	CARBON BRUSH CB-303 2PC/SET (W/ ORIGIN)	1	SET
111			643750-0	BRUSH HOLDER CAP	2	PC.
112			267781-1	WAVE WASHER 7	1	PC.
113			231372-4	COMPRESSION SPRING 5	1	PC.
115			421479-6	RUBBER RING 19	1	PC.
116			424047-4	PACKING	1	PC.
117			424050-5	SPONGE	1	PC.
118			443137-4	FELT	1	PC.
C01			872682-6	CARTON	1	PC.

ACCESSORIES



- See catalogue or visit www.makita.ca for more accessories information -

A01	2		A-99932	6-1/2" CT BLADE 48T 20MM WOOD	1	PC.
	Opt.		A-98809	6-1/2" CT BLADE 48T 20MM CORIAN	1	PC.
	Opt.		A-99982	6-1/2" CT BLADE 60T 20MM MDF	1	PC.
	Opt.		A-99960	6-1/2" CT BLADE 28T 20MM WOOD	1	PC.
	Opt.		A-99976	6-1/2" CT BLADE 56T 20MM ALUM	1	PC.
A02			783203-8	HEX. WRENCH 5	1	PC.
A03			165447-6	GUIDE RULE SUB BASE (No Longer SE from Jun 2011)	1	PC.
A04			122562-9	DUST BAG ASSY	1	PC.
A05			194368-5	GUIDE RAIL 1400MM	1	PC.
			194367-7	GUIDE RAIL 3000MM	1	PC.
			194925-9	GUIDE RAIL 1900MM	1	PC.
			199140-0	GUIDE RAIL 1000MM		
			199141-8	GUIDE RAIL 1500MM		
A06			194385-5	CLAMP SET	1	SET
A07	4		197213-3	INTERLOCKING TOOL CASE XL	1	PC.
		INC.	453974-8	LOCKING LATCH	4	PC.
A08	2		196664-7	* BEVEL GUIDE SET	1	SET
A09			194416-0	VINYL SHEET 384" (10000MM)	1	SET
A10			194417-8	RUBBER SEAT 10000 SET	1	SET
A11			194418-6	POSITION SEAT 1400 SET	1	SET
A11			194419-4	POSITION SEAT 3000 SET	1	SET
A12			P-80013	VACUUM HOSE ADAPTER	1	PC.
A13	2		B-57613	GUIDE RAIL HOLDER,BLUE,1500MM	1	PC.
A14			SP6000-ACC1	SP6000 ACCESSORY KIT	1	SET
		INC.		Item No. A04, A06, A08		
A15			195546-0	FRONT CUFF 24	1	PC.
A16			T-02571	FOAM INSERT F/INTERLOCK CASE	4	PC.
A17	2		E-10936	GUIDE RAIL BAG 3000MM	1	PC.
			E-05664	GUIDE RAIL BAG 1500MM	1	PC.
A18			198885-7	GUIDE RAIL CONNECTORS	1	PC.
A19			199826-6	RATCHET CLAMP SET	1	PC.
F28			1913K7-3	PARALLEL GUIDE SET (MM)	1	PC.
G49			1913K5-7	PUSH CLAMP SET	1	PC.

SERVICE CHANGES

1. Changes on Flat washer 10

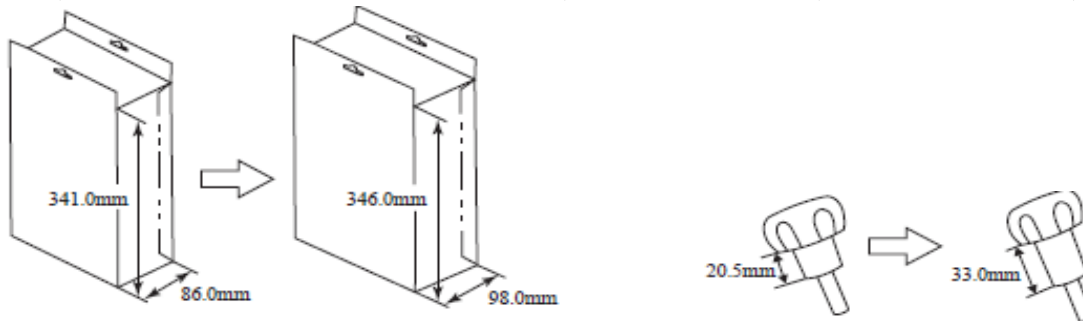
(T/I# 81172)

Item No.	Description	Type 1	Type 2
77	Flat Washer / Plate	267070-4 	345977-4 

2. Changes on Bevel Guide Set

(T/I# A1654)

Item No.	Description	Type 1	Type 2
A08	Bevel guide set	194433-0	196664-7



3. Changes on M6x10 Hex socket set screw (flat point),

(TI#B7108)

(TI#C0221)

Item No.	Description	Type 1	Type 2	Type 3
15	PIN 8	324716-6	326960-1	324716-6
17	HSH BOLT M5X8 > M5X10	265913-4		265907-9

Type 2 Use 326960-1 with 265907-9

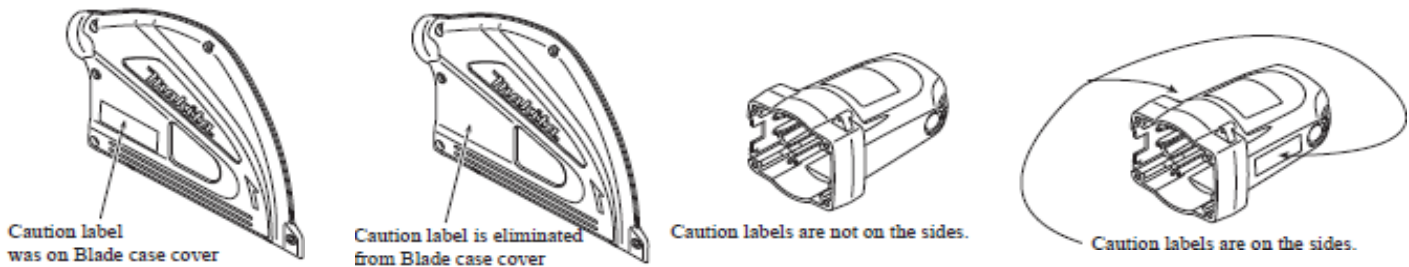
4. Position of Caution label has been changed from Blade case cover to the sides of Motorhousing

(TI#B7641, C0286)

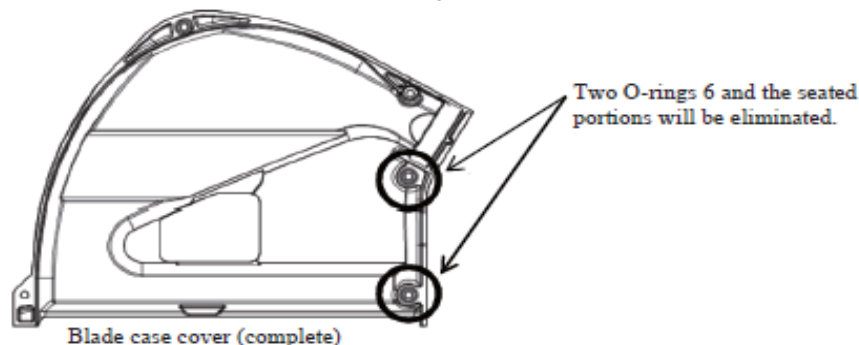
(T/I# C1259)

Item No.	Description	Type 1	Type 2	Type 3
53	Blade Case Cover	158214-6	318084-7 (N/L/A)	319709-6
53 INC.	Caution label	810303-2		---
108	Motor housing	158094-0		143397-5
108 INC.	Caution label	---		807E21-1
108 INC.	Caution label	---		807F46-1
122	O Ring 16	----	213045-1	----

Above parts are interchangeable as a set.



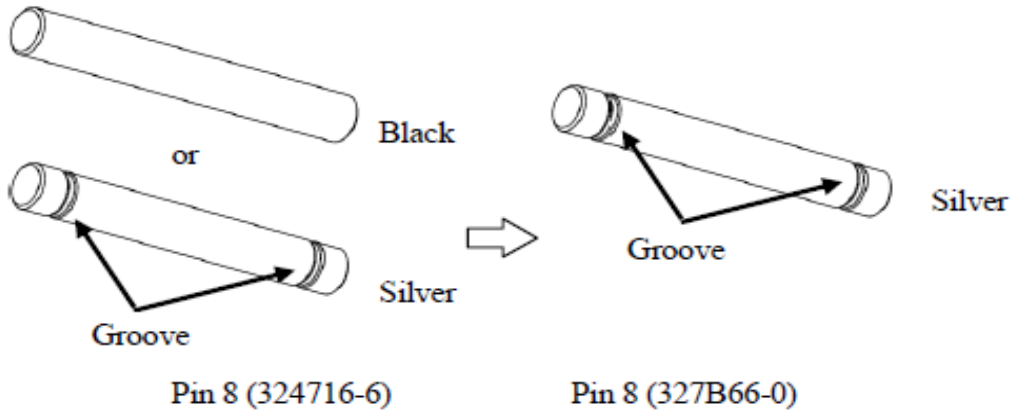
Item No. 22 - Addition and removal of Two O Ring 6



4. Changes on PIN 8

(T/I#DH707)

Item No.	Description	Type 1	Type 2
33	PIN 8	324716-6	327B66-0



If the current PIN 8 has grooves, it can be used.